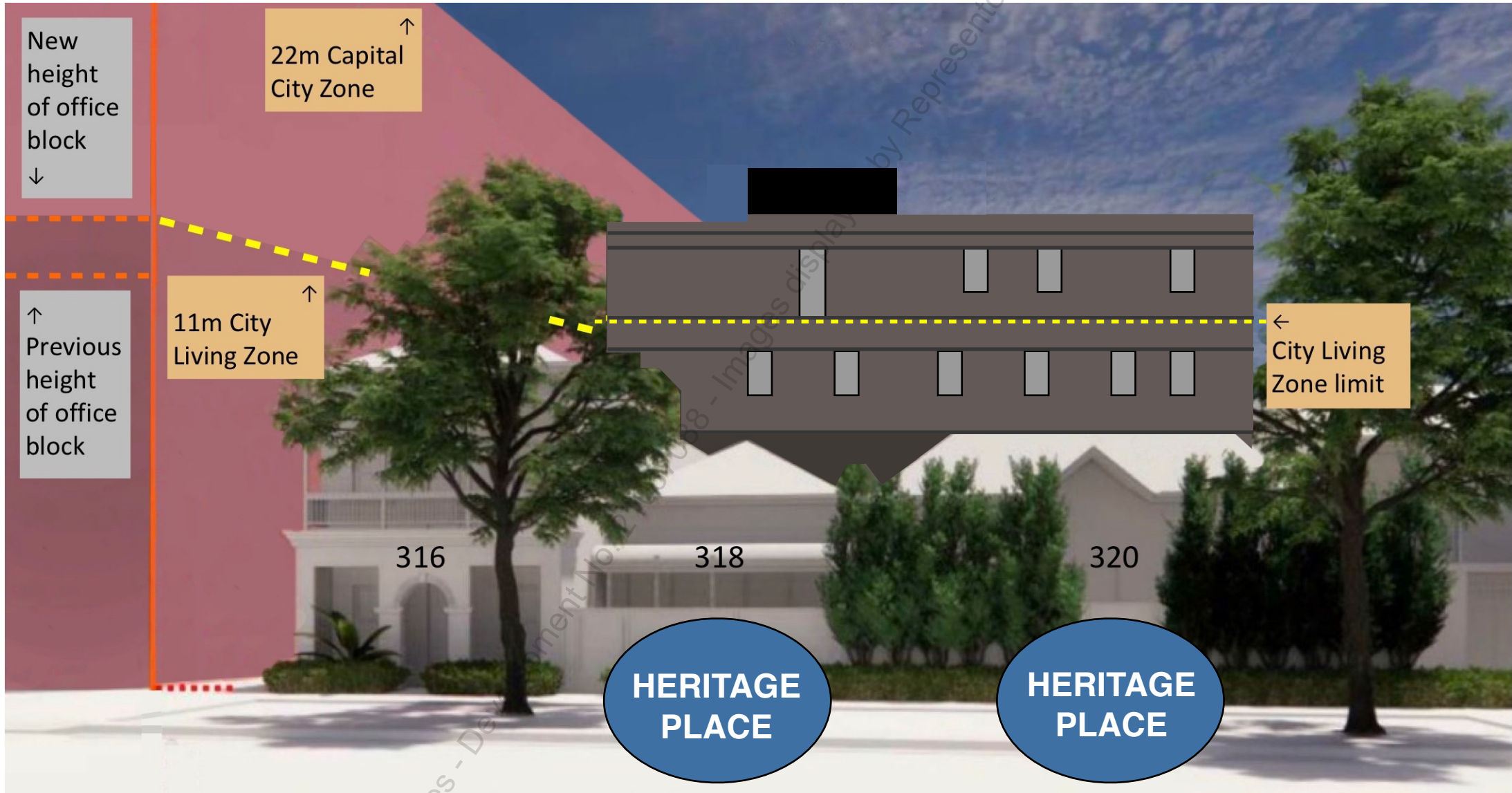


EXAGGERATED PERSPECTIVE (= 18 or 22mm LENS?)



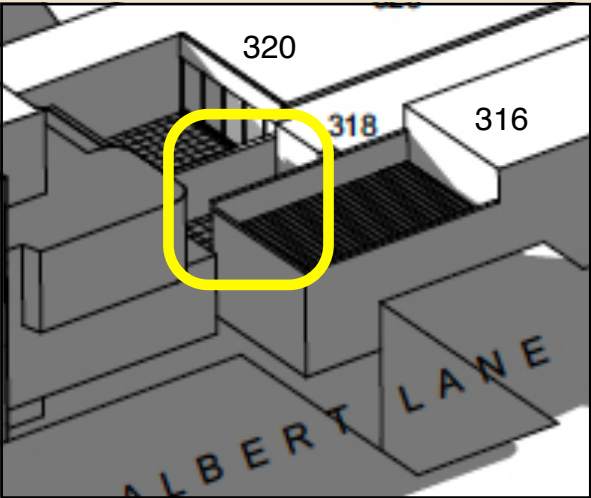
HUMAN PERCEPTION (= 50mm LENS)



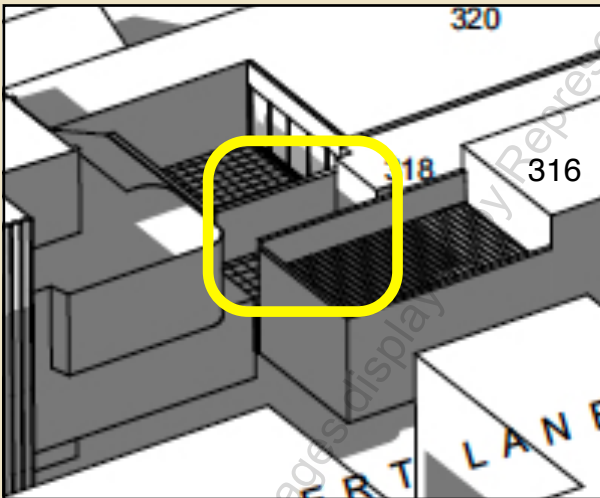
Minutes - Document No. 2100038 - Images display by Represantor - Clive Huggan

Overshadowing through the day on 21 June – 318 Angas Street

9 am



Noon



3 pm

